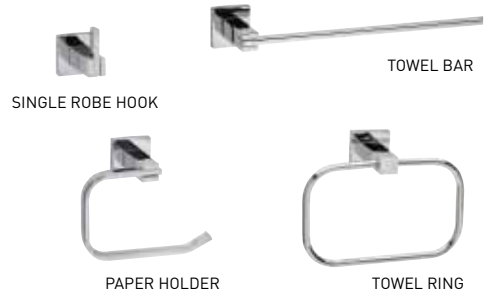


FEATURES

- › INCLUDES SOLID ZINC DIE CAST MOUNTING PLATES: 1-13/32" x 1" (36 mm x 26 mm); NYLON ANCHORS AND STEEL PHILLIPS HEAD SCREWS: #8 x 1-1/4" (32 mm)
- › ZINC DIE-CAST CONSTRUCTION (POSTS)

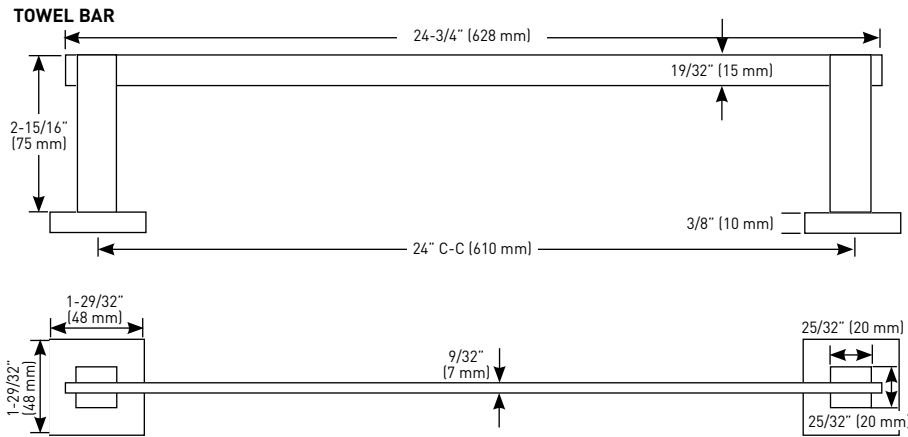


SINGLE ROBE HOOK

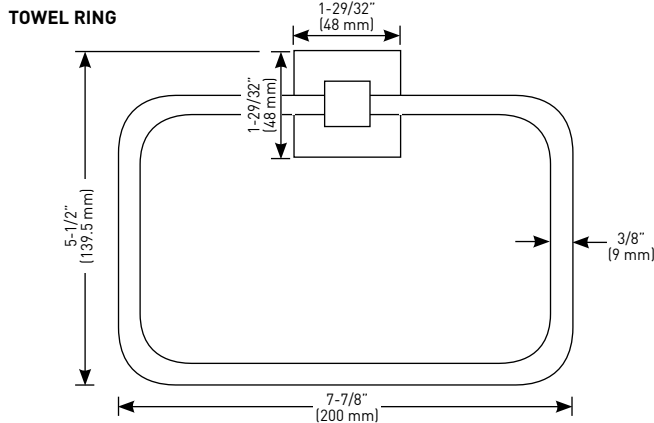
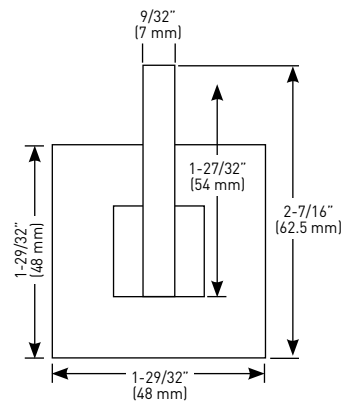
TOWEL BAR

PAPER HOLDER

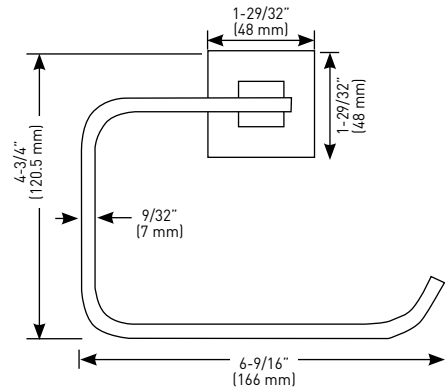
TOWEL RING



SINGLE ROBE HOOK



PAPER HOLDER



RETAIL PACK

POLISHED CHROME 26

MATERIAL

CASE QTY.

24" TOWEL BAR
SINGLE ROBE HOOK
TOWEL RING
PAPER HOLDER

01-NC30950

STAINLESS STEEL
ZINC
STAINLESS STEEL
STAINLESS STEEL

10

MEASUREMENTS SUBJECT TO A 3% VARIANCE

MEASUREMENTS ARE FOR REFERENCE ONLY. TAYMOR RESERVES THE RIGHT TO CHANGE THE PRODUCT SPECS WITHOUT NOTICE. FOR PRODUCT WARRANTY, PLEASE VISIT TAYMOR WEBSITE FOR DETAILS

