

Bonneville 6'8"			
All dimensions nominal before prefit and bevel.			
DW	A	B	C
3-0	11.96	3.78	4.15
2-10	9.96	3.78	5.15
2-8	9.96	3.78	4.15
2-6	8.96	3.78	4.15
2-4	7.96	3.78	4.15
2-2	5.96	3.78	5.15
2-0	5.96	3.78	4.15
1-10	5.96	3.78	3.15
Bottom rail dimension does not comply with ADA requirements.			

# Bonneville (Textured Colonist)

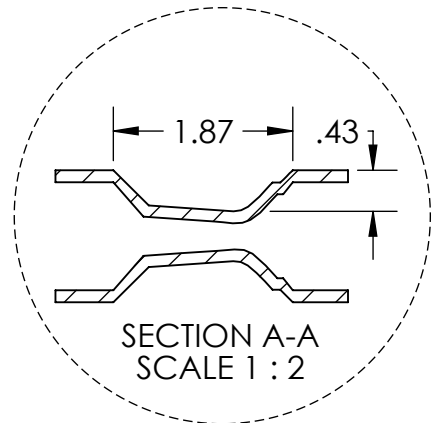
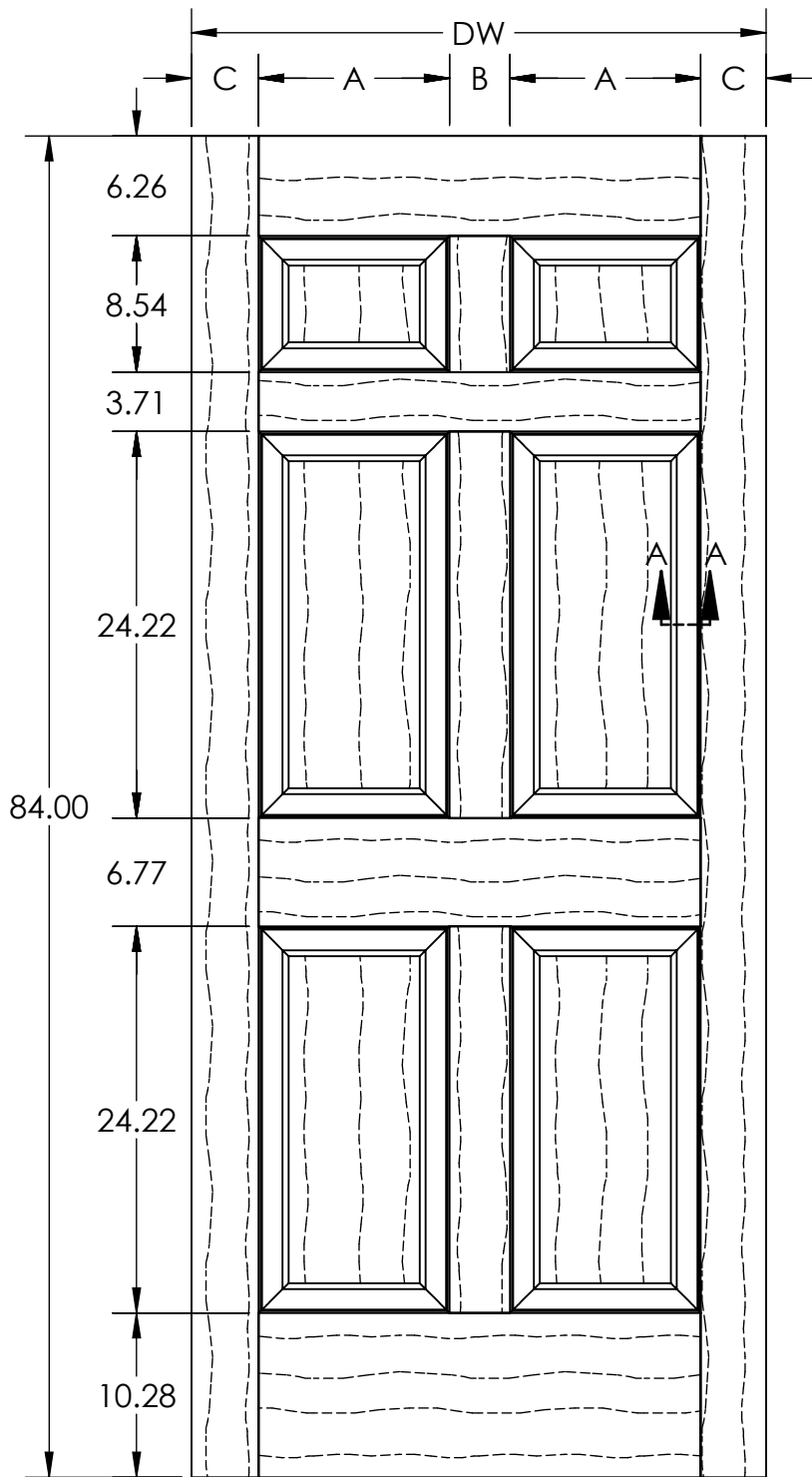
Molded Profile Door



DIMENSIONS ARE IN: Inches  
DOOR TOLERANCES  
WIDTH (FULL WIDTH): ±1/16  
WIDTH (PREFIT): ±1/32  
HEIGHT: ±1/16  
SQUARE: ±1/8

THE INFORMATION CONTAINED IN THIS DRAWING IS THE SOLE PROPERTY OF Lynden Door, Inc. ANY REPRODUCTION IN PART OR AS A WHOLE WITHOUT THE WRITTEN PERMISSION OF Lynden Door, Inc. IS PROHIBITED.

A04-00044 01/15/19



Bonneville 7'0"			
All dimensions nominal before prefit and bevel.			
DW	A	B	C
3-0	11.96	3.78	4.15
2-10	9.96	3.78	5.15
2-8	9.96	3.78	4.15
2-6	8.96	3.78	4.15
2-4	7.96	3.78	4.15
2-2*	7.96	3.78	4.15
2-0	5.96	3.78	4.15
1-10	5.96	3.78	3.15
Bottom rail dimension complies with ADA requirements.			
* Contact factory regarding availability of wider stile options.			

# Bonneville (Textured Colonist)

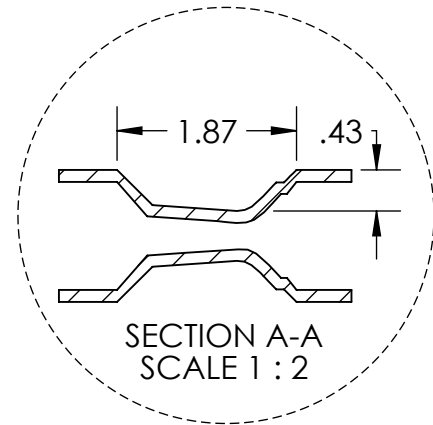
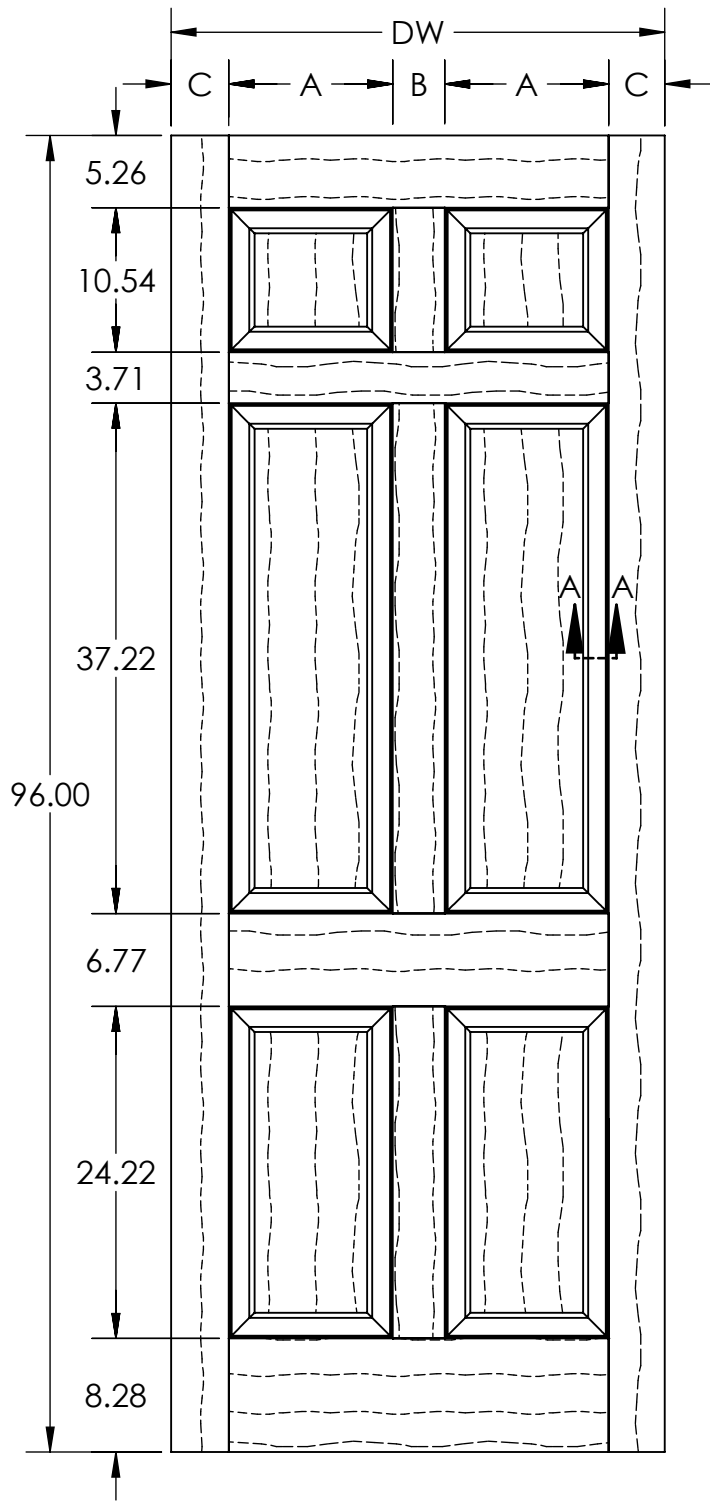
Molded Profile Door



DIMENSIONS ARE IN: inches  
DOOR TOLERANCES  
WIDTH (FULL WIDTH): ±1/16  
WIDTH (PREFIT): ±1/32  
HEIGHT: ±1/16  
SQUARE: ±1/8

THE INFORMATION CONTAINED IN THIS DRAWING IS THE SOLE PROPERTY OF Lynden Door, Inc. ANY REPRODUCTION IN PART OR AS A WHOLE WITHOUT THE WRITTEN PERMISSION OF Lynden Door, Inc. IS PROHIBITED.

A04-00044 01/15/19



Bonneville 8'0"			
All dimensions nominal before prefit and bevel.			
DW	A	B	C
3-0	11.96	3.78	4.15
2-10*	11.96	3.78	3.15
2-8	9.96	3.78	4.15
2-6	8.96	3.78	4.15
2-4	7.96	3.78	4.15
2-2*	7.96	3.78	3.15
2-0	5.96	3.78	4.15
1-10	5.96	3.78	3.15
Bottom rail dimension does not comply with ADA requirements.			
* Contact factory regarding availability of wider stile options.			

# Bonneville (Textured Colonist)

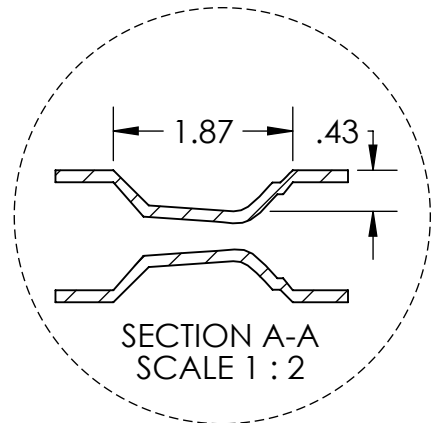
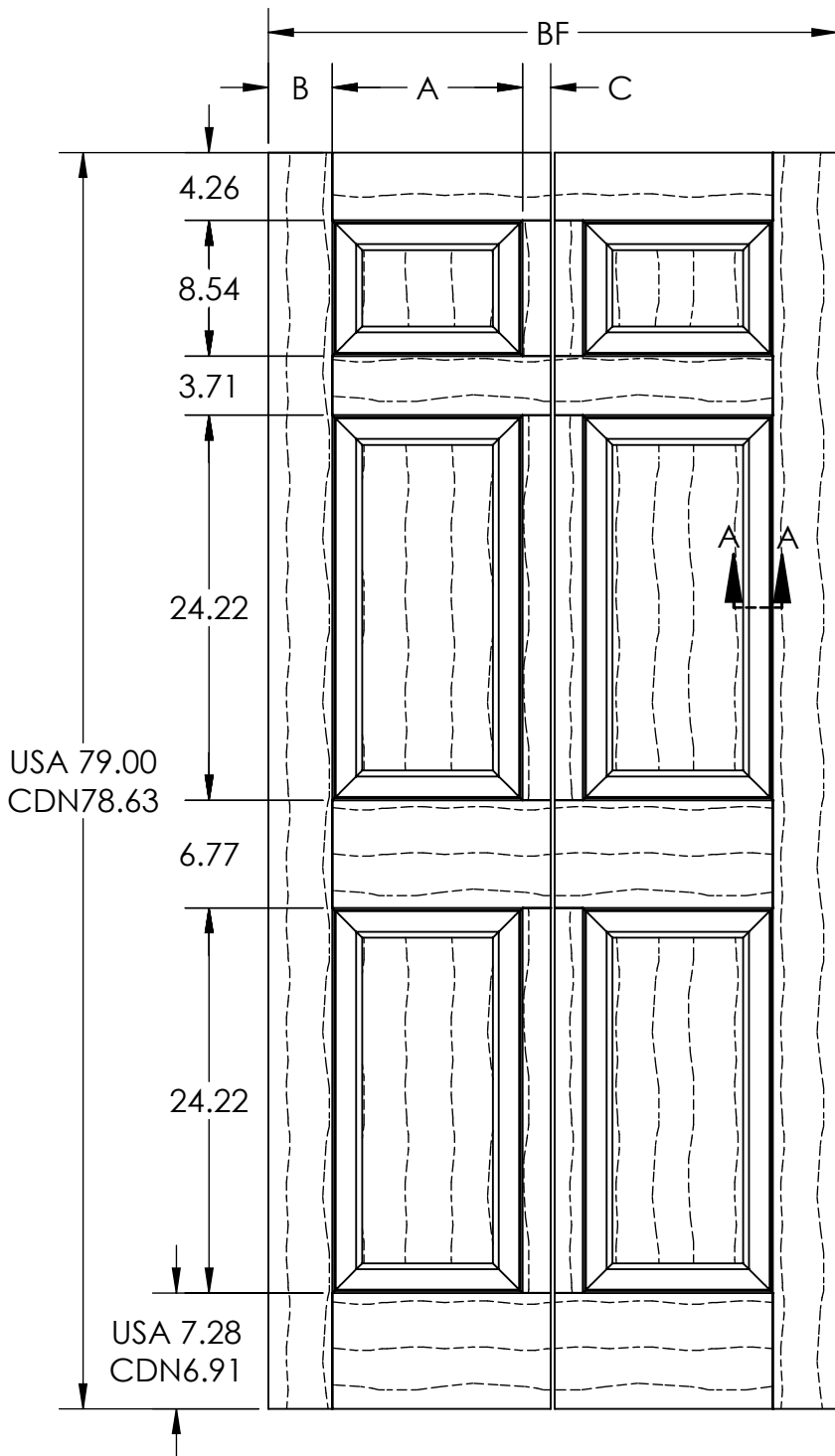
Molded Profile Door



DIMENSIONS ARE IN: inches  
 DOOR TOLERANCES  
 WIDTH (FULL WIDTH): ±1/16  
 WIDTH (PREFIT): ±1/32  
 HEIGHT: ±1/16  
 SQUARE: ±1/8

THE INFORMATION CONTAINED IN THIS DRAWING IS THE SOLE PROPERTY OF Lynden Door, Inc. ANY REPRODUCTION IN PART OR AS A WHOLE WITHOUT THE WRITTEN PERMISSION OF Lynden Door, Inc. IS PROHIBITED.

A04-00044 01/15/19



Bonneville Bifold 6'8"			
BF	A	B	C
3-0	11.96	4.02	1.77
2-8	9.96	4.02	1.77
2-6	8.96	4.02	1.77
2-4	7.96	4.02	1.77
2-0	5.96	4.02	1.77
1-8	5.96	2.02	1.77
1-6	4.81	2.91	1.03

Use of heavy duty hardware may require additional undercut. Lynden Door standard is 3/4"

# Bonneville (Textured Colonist)

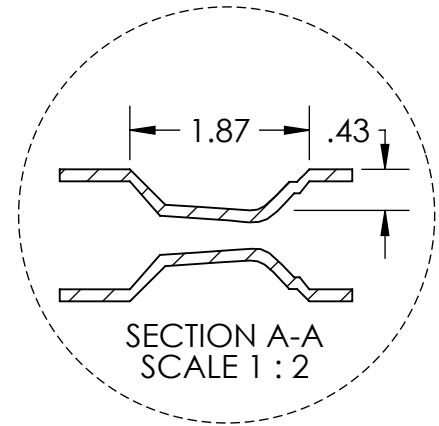
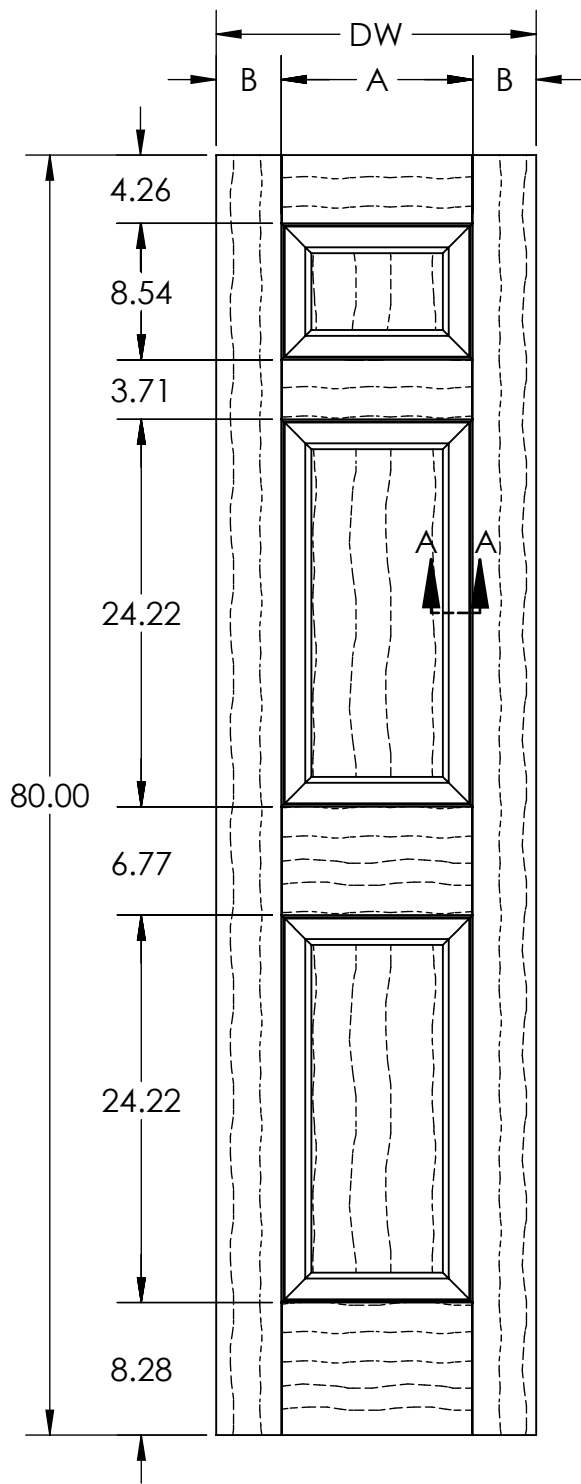
Molded Profile Bifold



DIMENSIONS ARE IN: inches  
 DOOR TOLERANCES  
 WIDTH (FULL WIDTH): ±1/16  
 WIDTH (PREFIT): ±1/32  
 HEIGHT: ±1/16  
 SQUARE: ±1/8

THE INFORMATION CONTAINED IN THIS DRAWING IS THE SOLE PROPERTY OF Lynden Door, Inc. ANY REPRODUCTION IN PART OR AS A WHOLE WITHOUT THE WRITTEN PERMISSION OF Lynden Door, Inc. IS PROHIBITED.

A04-00044 01/15/19



Bonneville 6'8"		
All dimensions nominal before prefit and bevel.		
DW	A	B
1-8	11.96	4.02
1-6	11.96	3.02
1-4	7.08	4.46
Bottom rail dimension does not comply with ADA requirements.		

# Bonneville (Textured Colonist)

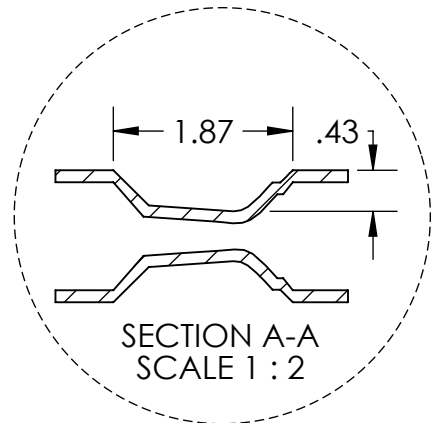
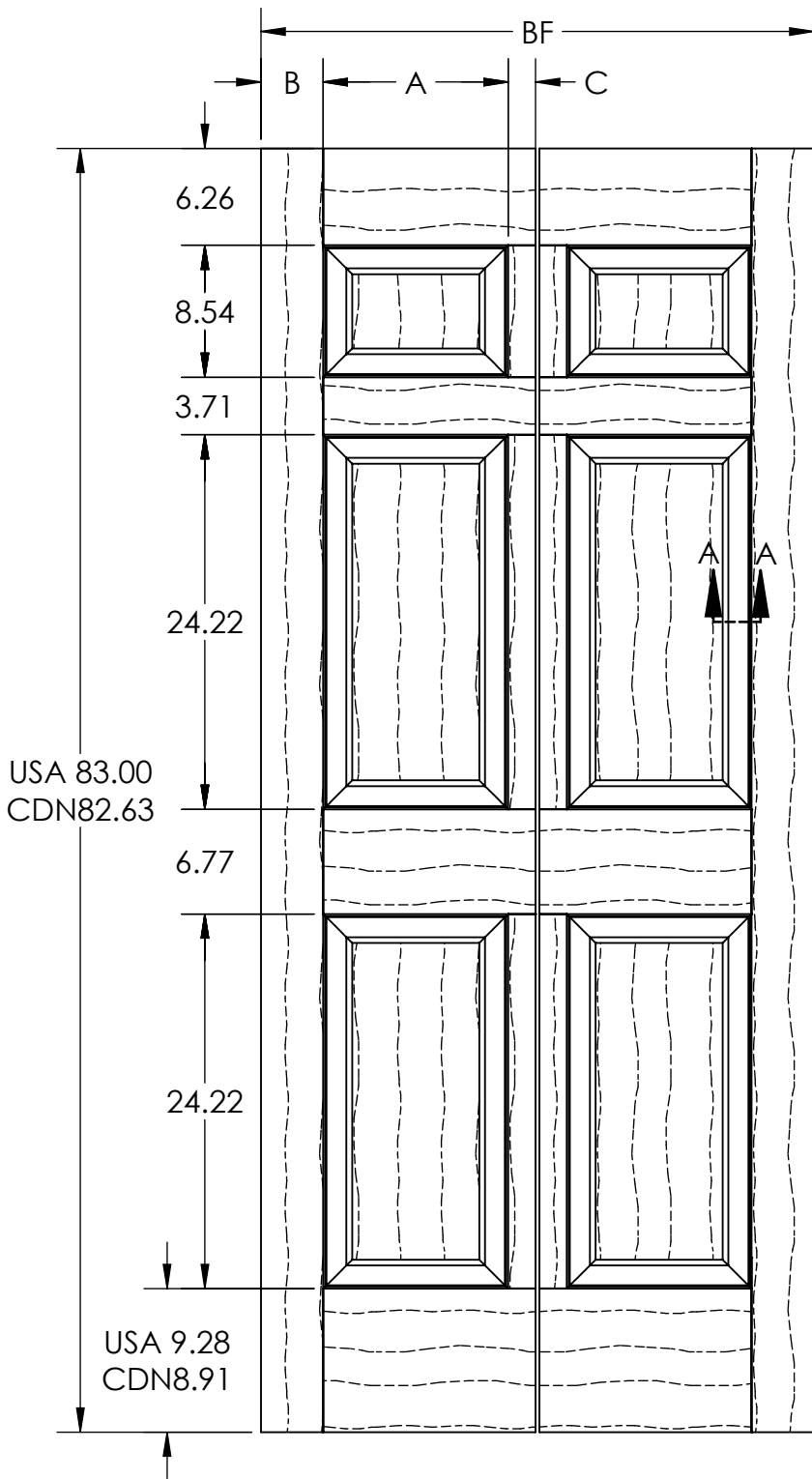
Molded Profile Door



DIMENSIONS ARE IN: Inches  
 DOOR TOLERANCES  
 WIDTH (FULL WIDTH): ±1/16  
 WIDTH (PREFIT): ±1/32  
 HEIGHT: ±1/16  
 SQUARE: ±1/8

THE INFORMATION CONTAINED IN THIS DRAWING IS THE SOLE PROPERTY OF Lynden Door, Inc. ANY REPRODUCTION IN PART OR AS A WHOLE WITHOUT THE WRITTEN PERMISSION OF Lynden Door, Inc. IS PROHIBITED.

A04-00044 01/15/19



Bonneville Bifold 7'0"			
BF	A	B	C
3-0	11.96	4.02	1.77
2-8	9.96	4.02	1.77
2-6	8.96	4.02	1.77
2-4	7.96	4.02	1.77
2-0	5.96	4.02	1.77
1-8	5.96	2.02	1.77
1-6	5.96	1.77	1.02

Use of heavy duty hardware may require additional undercut. Lynden Door standard is 3/4"

# Bonneville (Textured Colonist)

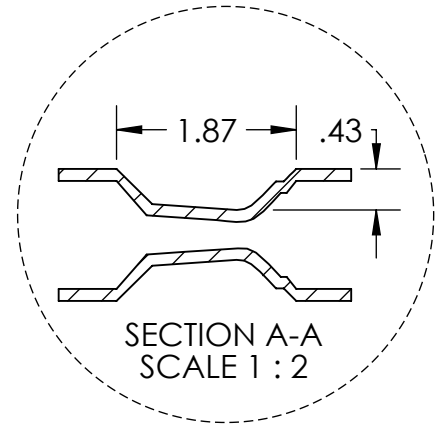
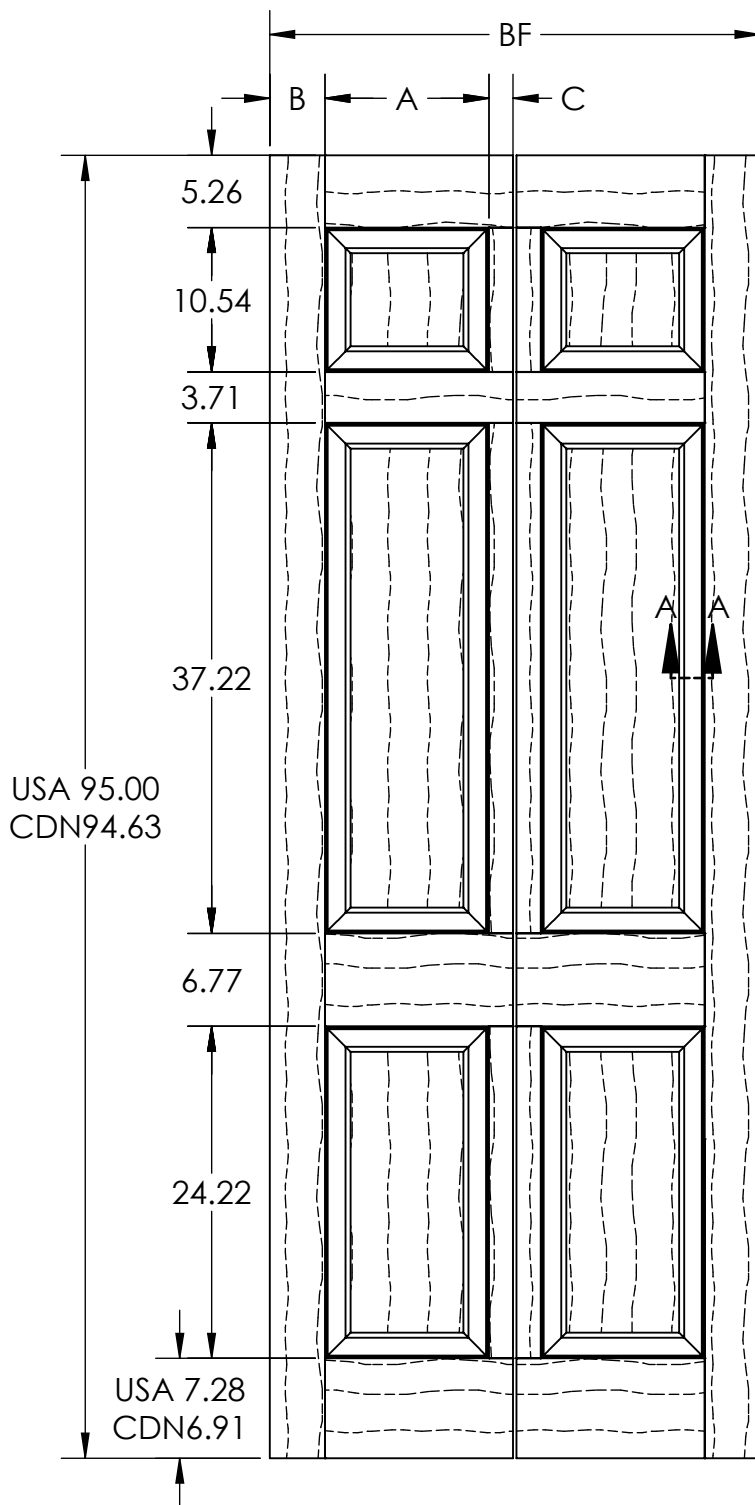
Molded Profile Bifold



DIMENSIONS ARE IN: Inches  
 DOOR TOLERANCES  
 WIDTH (FULL WIDTH): ±1/16  
 WIDTH (PREFIT): ±1/32  
 HEIGHT: ±1/16  
 SQUARE: ±1/8

THE INFORMATION CONTAINED IN THIS DRAWING IS THE SOLE PROPERTY OF Lynden Door, Inc. ANY REPRODUCTION IN PART OR AS A WHOLE WITHOUT THE WRITTEN PERMISSION OF Lynden Door, Inc. IS PROHIBITED.

A04-00044 01/15/19



Bonneville Bifold 8'0"			
BF	A	B	C
3-0	11.96	4.02	1.77
2-8	9.96	4.02	1.77
2-6	8.96	4.02	1.77
2-4	7.96	4.02	1.77
2-0	5.96	4.02	1.77
1-8	5.96	2.02	1.77
1-6	5.96	1.77	1.02

Use of heavy duty hardware may require additional undercut. Lynden Door standard is 3/4"

# Bonneville (Textured Colonist)

Molded Profile Bifold



DIMENSIONS ARE IN: inches  
DOOR TOLERANCES  
WIDTH (FULL WIDTH): ±1/16  
WIDTH (PREFIT): ±1/32  
HEIGHT: ±1/16  
SQUARE: ±1/8

THE INFORMATION CONTAINED IN THIS DRAWING IS THE SOLE PROPERTY OF Lynden Door, Inc. ANY REPRODUCTION IN PART OR AS A WHOLE WITHOUT THE WRITTEN PERMISSION OF Lynden Door, Inc. IS PROHIBITED.

A04-00044 01/15/19