

Chelan 6'8"				
All dimensions nominal before prefit and bevel.				
DW	A	B	C	# of Planks
3-0	25.69	6.15	3.32	6
2-10	23.69	6.15	2.99	6
2-8	23.69	5.15	2.99	6
2-6	21.69	5.15	3.26	5
2-4	19.69	5.15	2.86	5
2-2	15.69	5.15	2.68	4
2-0	15.69	4.15	2.68	4
1-10	15.69	3.15	2.68	4
1-8	11.96	4.02	2.46	3
1-6	11.96	3.02	2.46	3

Bottom rail dimension does not comply with ADA requirements.

Chelan (Cashal)

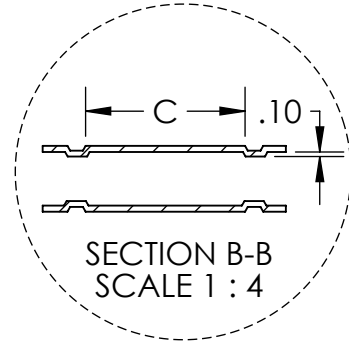
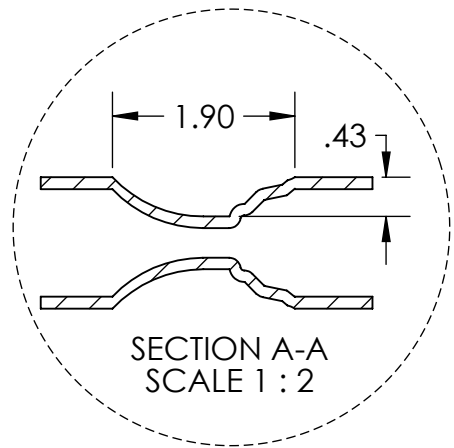
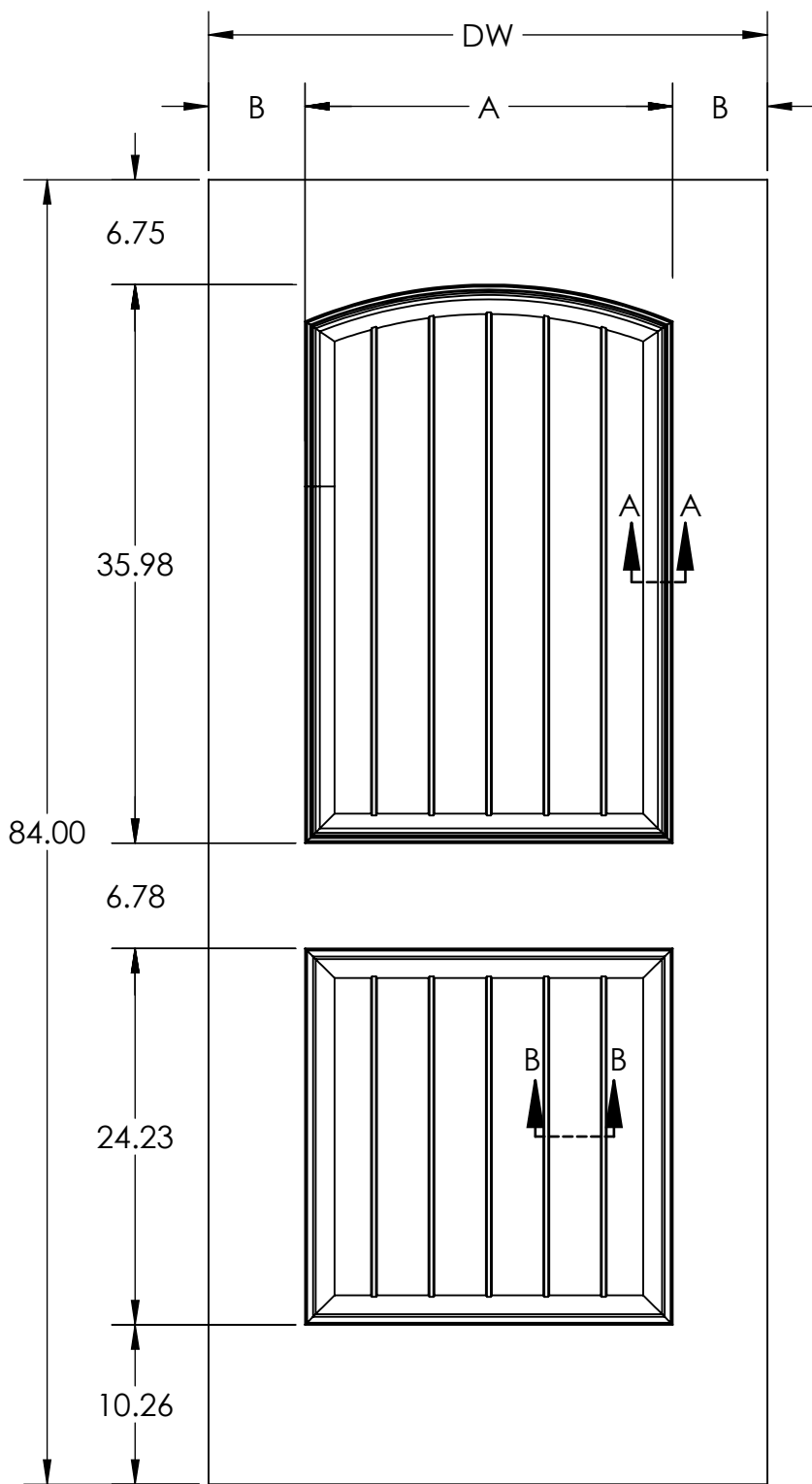
Molded Profile Door



DIMENSIONS ARE IN: Inches
 DOOR TOLERANCES
 WIDTH (FULL WIDTH): ±1/16
 WIDTH (PREFIT): ±1/32
 HEIGHT: ±1/16
 SQUARE: ±1/8

THE INFORMATION CONTAINED IN THIS DRAWING IS THE SOLE PROPERTY OF Lynden Door, Inc. ANY REPRODUCTION IN PART OR AS A WHOLE WITHOUT THE WRITTEN PERMISSION OF Lynden Door, Inc. IS PROHIBITED.

A04-00048 01/10/19



Chelan 7'0"				
All dimensions nominal before prefit and bevel.				
DW	A	B	C	# of Planks
3-0	25.69	6.15	3.32	6
2-10	23.69	6.15	2.99	6
2-8	23.69	5.15	2.99	6
2-6	21.69	5.15	3.26	5
2-4	19.69	5.15	2.86	5
2-2	15.69	5.15	2.68	4
2-0	15.69	4.15	2.68	4
1-10	15.69	3.15	2.68	4
1-8	11.96	4.02	2.46	3
1-6	11.96	3.02	2.46	3
Bottom rail dimension complies with ADA requirements.				

Chelan (Cashal)

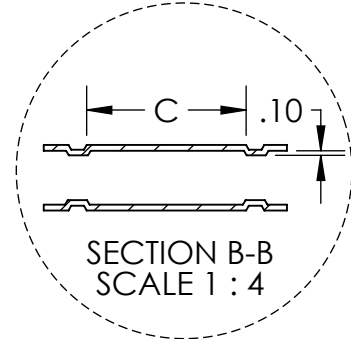
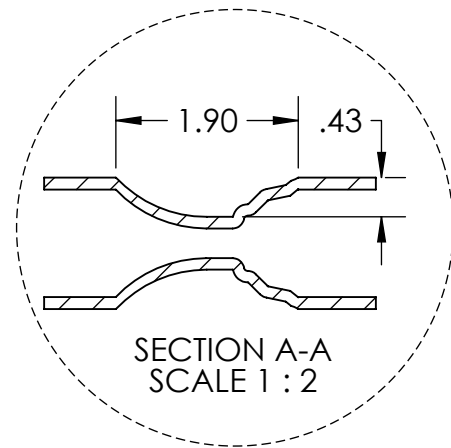
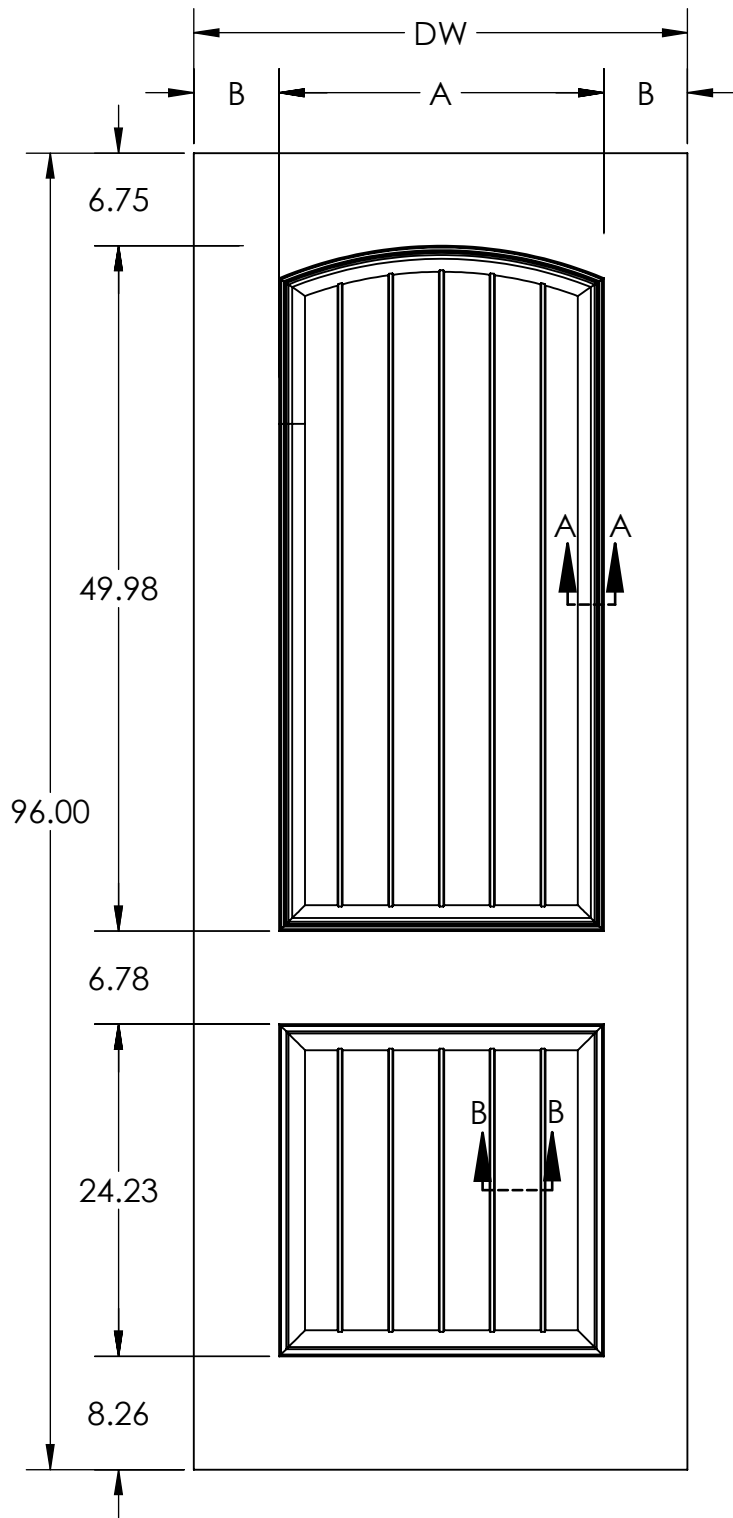
Molded Profile Door



DIMENSIONS ARE IN: inches
 DOOR TOLERANCES
 WIDTH (FULL WIDTH): ±1/16
 WIDTH (PREFIT): ±1/32
 HEIGHT: ±1/16
 SQUARE: ±1/8

THE INFORMATION CONTAINED IN THIS DRAWING IS THE SOLE PROPERTY OF Lynden Door, Inc. ANY REPRODUCTION IN PART OR AS A WHOLE WITHOUT THE WRITTEN PERMISSION OF Lynden Door, Inc. IS PROHIBITED.

A04-00048.01/10/19



Chelan 8'0"				
All dimensions nominal before prefit and bevel.				
DW	A	B	C	# of Planks
3-0	25.69	5.15	3.32	6
2-10*	25.69	4.15	2.99	6
2-8	23.69	4.15	2.99	6
2-6	21.69	4.15	3.26	5
2-4	19.69	4.15	2.86	5
2-2*	19.69	3.15	2.68	4
2-0	15.69	4.15	2.68	4
1-10	15.69	3.15	2.68	4
1-8	11.96	4.02	2.46	3
1-6	11.96	3.02	2.46	3
Bottom rail dimension does not comply with ADA requirements.				
*Contact factory regarding availability of wider stile options.				

Chelan (Cashal)

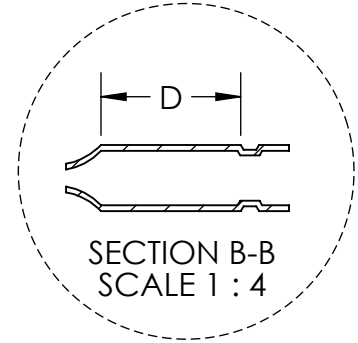
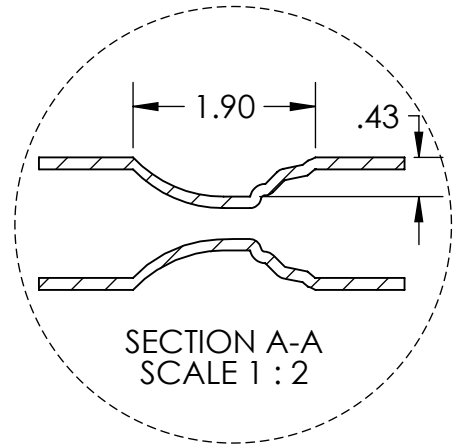
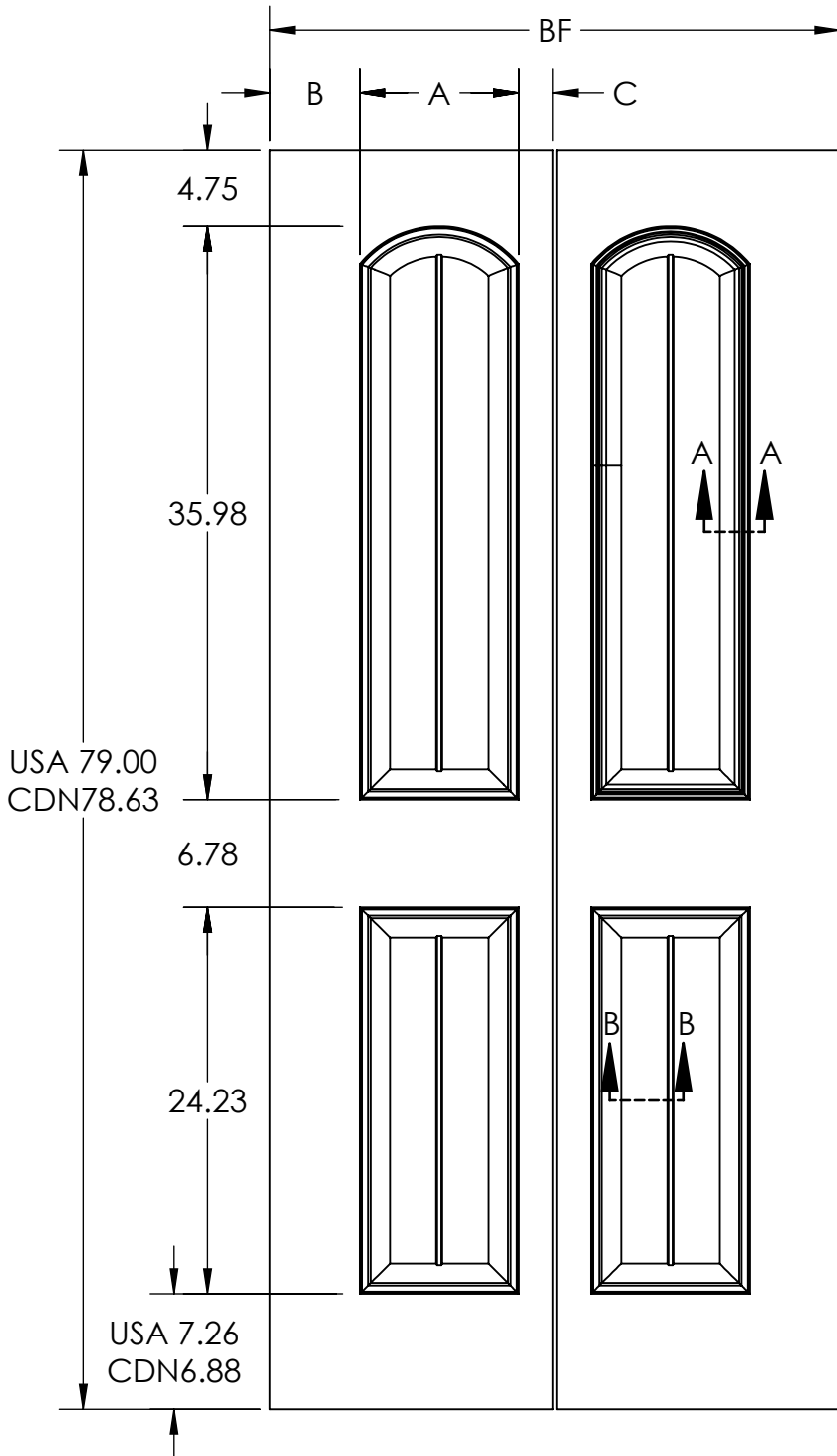
Molded Profile Door



DIMENSIONS ARE IN: inches
 DOOR TOLERANCES
 WIDTH (FULL WIDTH): ±1/16
 WIDTH (PREFIT): ±1/32
 HEIGHT: ±1/16
 SQUARE: ±1/8

THE INFORMATION CONTAINED IN THIS DRAWING IS THE SOLE PROPERTY OF Lynden Door, Inc. ANY REPRODUCTION IN PART OR AS A WHOLE WITHOUT THE WRITTEN PERMISSION OF Lynden Door, Inc. IS PROHIBITED.

A04-00048.01/10/19



Chelan Bifold 6'8"				
BF	A	B	C	D
3-0	10.00	5.63	2.12	2.90
2-8	10.00	3.63	2.12	2.90
2-6	10.00	2.63	2.12	2.90
2-4	10.00	2.12	1.63	2.90
2-0	8.20	2.17	1.38	2.01

Use of heavy duty hardware may require additional undercut. Lynden Door standard is 3/4"

Chelan (Cashal)

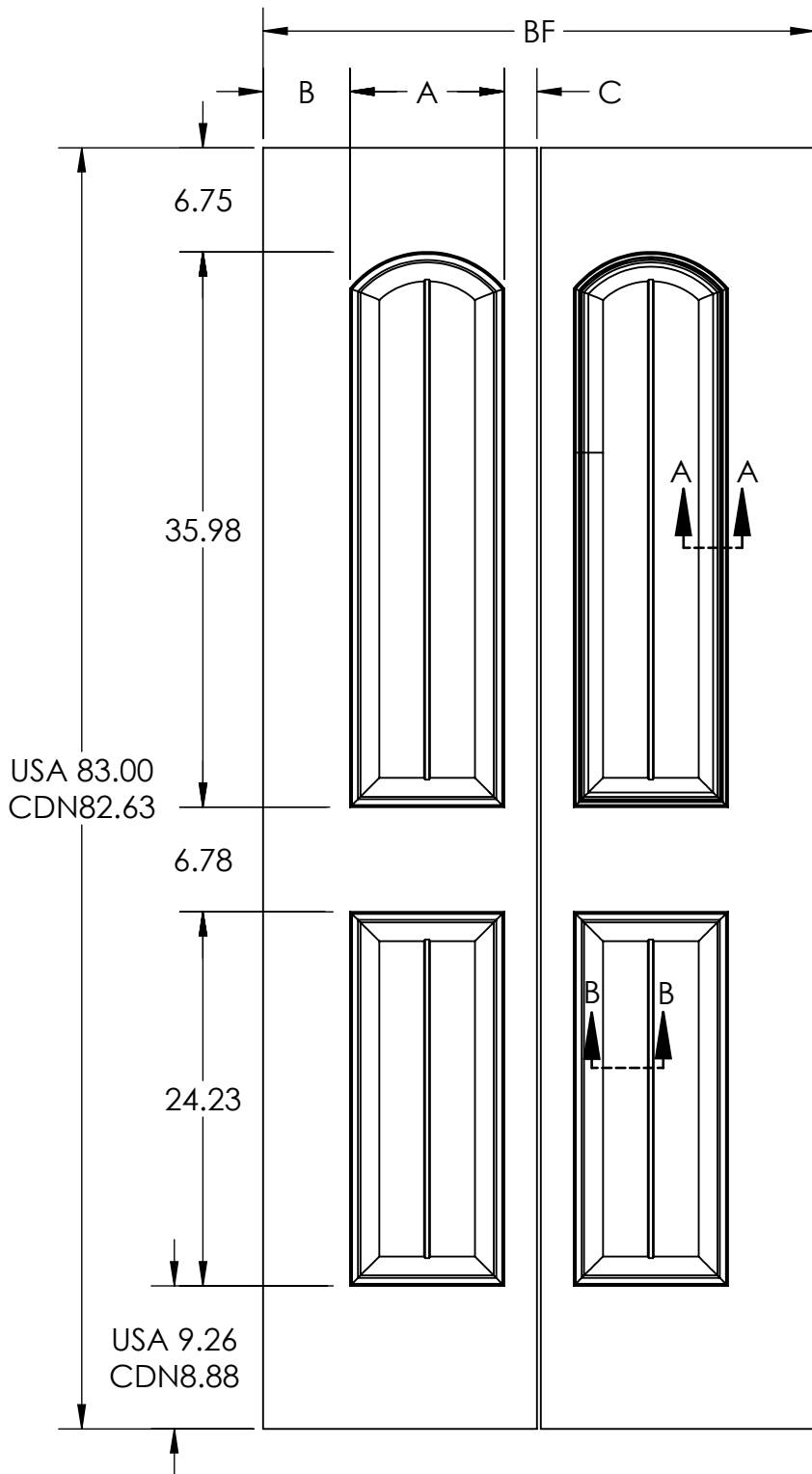
Molded Profile Bifold



DIMENSIONS ARE IN: inches
 DOOR TOLERANCES
 WIDTH (FULL WIDTH): ±1/16
 WIDTH (PREFIT): ±1/32
 HEIGHT: ±1/16
 SQUARE: ±1/8

THE INFORMATION CONTAINED IN THIS DRAWING IS THE SOLE PROPERTY OF Lynden Door, Inc. ANY REPRODUCTION IN PART OR AS A WHOLE WITHOUT THE WRITTEN PERMISSION OF Lynden Door, Inc. IS PROHIBITED.

A04-00048 01/10/19



Chelan Bifold 7'0"				
BF	A	B	C	D
3-0*	10.00	5.63	2.12	2.90
2-8*	10.00	3.63	2.12	2.90
2-6*	10.00	2.63	2.12	2.90
2-4*	10.00	2.12	1.63	2.90
2-0*	8.20	2.17	1.38	2.01

Use of heavy duty hardware may require additional undercut. Lynden Door standard is 3/4"

*** Non-Stock, Contact factory for pricing and availability.**

Chelan (Cashal)

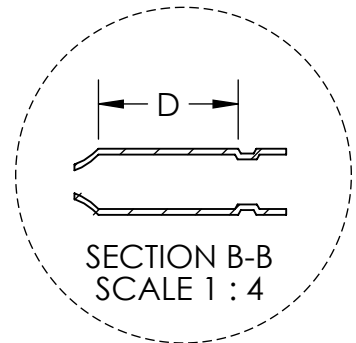
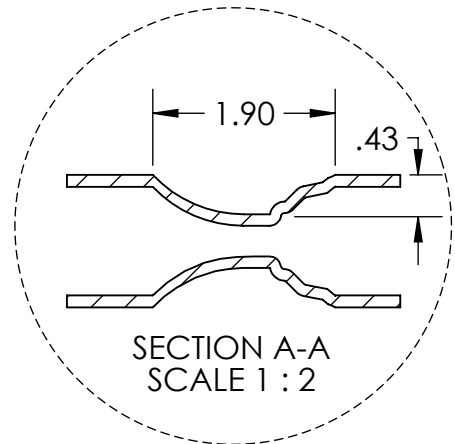
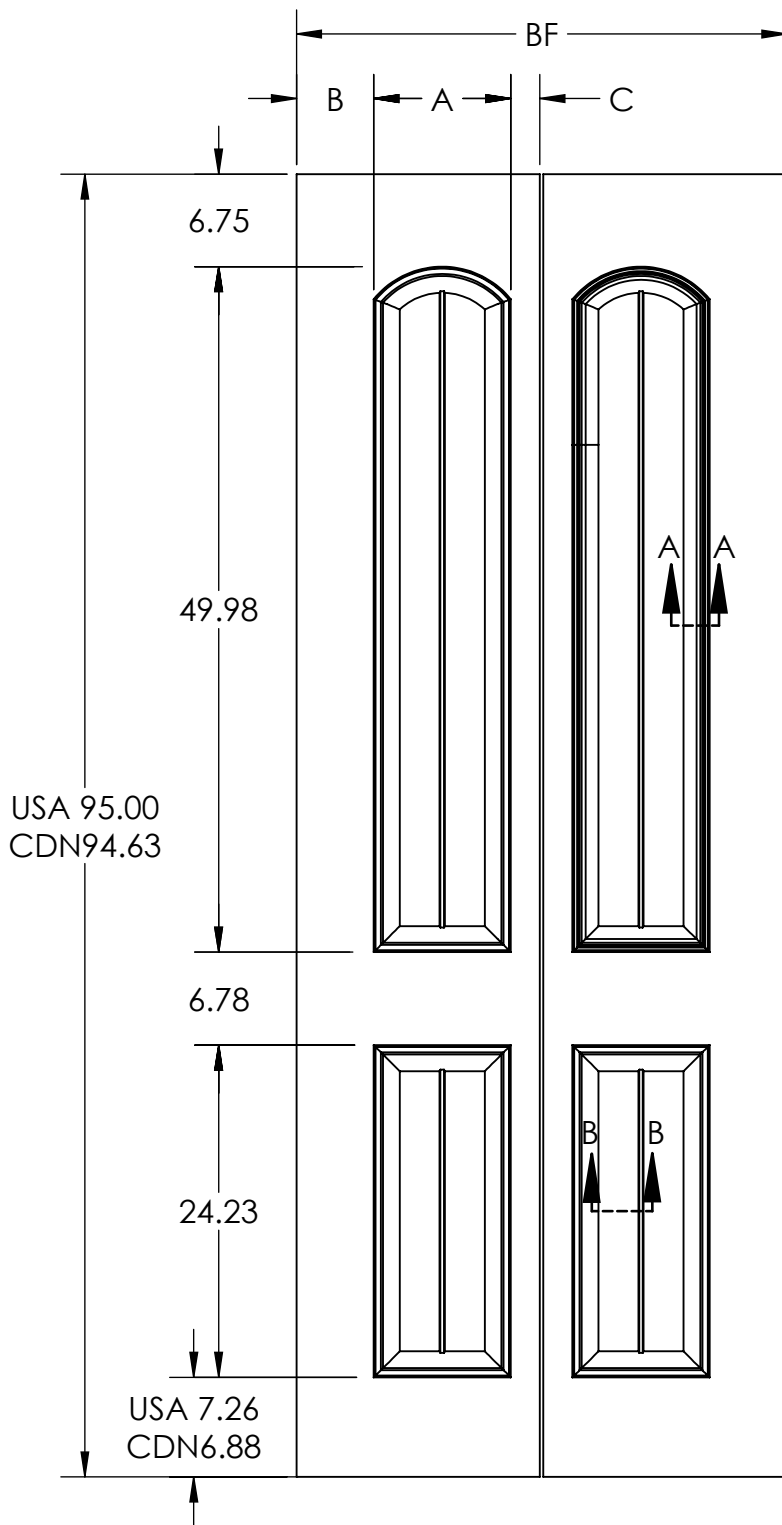
Molded Profile Bifold

LD Lynden Door
Open Your Future

DIMENSIONS ARE IN: inches
DOOR TOLERANCES
WIDTH (FULL WIDTH): $\pm 1/16$
WIDTH (PREFIT): $\pm 1/32$
HEIGHT: $\pm 1/16$
SQUARE: $\pm 1/8$

THE INFORMATION CONTAINED IN THIS DRAWING IS THE SOLE PROPERTY OF Lynden Door, Inc. ANY REPRODUCTION IN PART OR AS A WHOLE WITHOUT THE WRITTEN PERMISSION OF Lynden Door, Inc. IS PROHIBITED.

A04-00048 01/10/19



Chelan Bifold 8'0"				
BF	A	B	C	D
3-0*	10.00	5.63	2.12	2.90
2-8*	10.00	3.63	2.12	2.90
2-6*	10.00	2.63	2.12	2.90
2-4*	10.00	2.12	1.63	2.90
2-0*	8.20	2.17	1.38	2.01

Use of heavy duty hardware may require additional undercut. Lynden Door standard is 3/4"

*** Non-Stock, Contact factory for pricing and availability.**

Chelan (Cashal)

Molded Profile Bifold



DIMENSIONS ARE IN: Inches
DOOR TOLERANCES
WIDTH (FULL WIDTH): ±1/16
WIDTH (PREFIT): ±1/32
HEIGHT: ±1/16
SQUARE: ±1/8

THE INFORMATION CONTAINED IN THIS DRAWING IS THE SOLE PROPERTY OF Lynden Door, Inc. ANY REPRODUCTION IN PART OR AS A WHOLE WITHOUT THE WRITTEN PERMISSION OF Lynden Door, Inc. IS PROHIBITED.

A04-00048 01/10/19