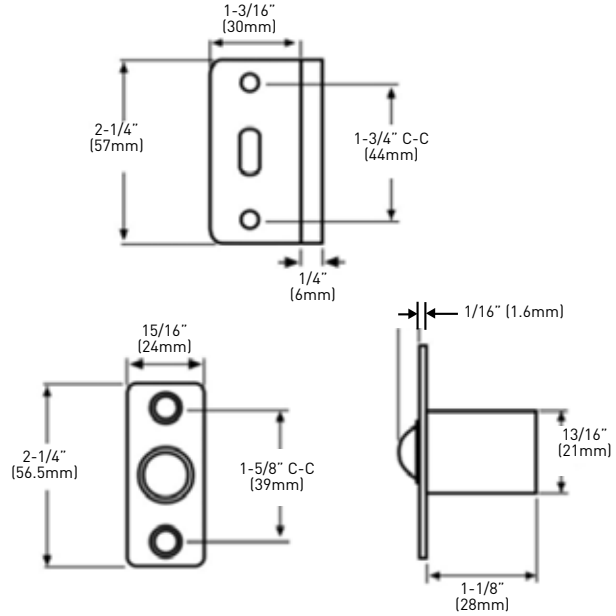


CLOSET AND CABINET HARDWARE

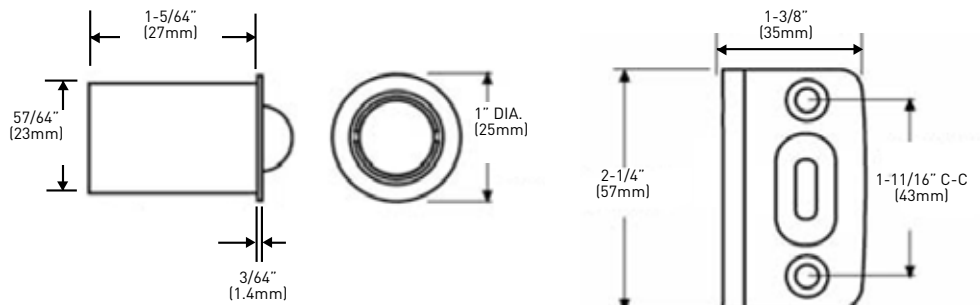


ADJUSTABLE BULLET CATCH

- > ZINC DIE-CAST BODY WITH STEEL BALL
- > STAMPED STEEL STRIKE PLATE INCLUDED
- > FITS 13/16" (21 mm) BORE HOLE
- > ADJUSTABLE FOR DOOR GAP
- > INCLUDES MOUNTING SCREWS



	3 POLISHED BRASS	10B OIL RUBBED BRONZE	15 SATIN NICKEL	17A ANTIQUÉ NICKEL	19 MATTE BLACK	26 POLISHED CHROME	26D SATIN CHROME	CASE PACK
POLY BAGGED WITH UPC ADJUSTABLE BULLET CATCH WITH FULL LIP STRIKE PLATE	20-1412B	20-1412ORB	20-1412SN	20-1412AN	20-1412BLK	20-1412CH	20-1412SC	25
BULK FULL LIP STRIKE PLATE ONLY 1/16" (0.9 mm) DEEP	-	20-1412SORB	20-1412SSN	20-1412SAN	-	20-1412SCH	20-1412SSC	500



DRIVE-IN ADJUSTABLE BULLET CATCH

- > ZINC DIE-CAST BODY WITH STEEL BALL
- > ADJUSTABLE FOR DOOR GAP
- > FITS INTO 1" (25 mm) BORE HOLE
- > STRIKE INCLUDED
- > INCLUDES MOUNTING SCREWS

	NICKEL	CASE PACK
POLY BAGGED WITH UPC DRIVE-IN BULLET CATCH WITH FULL LIP STRIKE PLATE	20-1432N	25