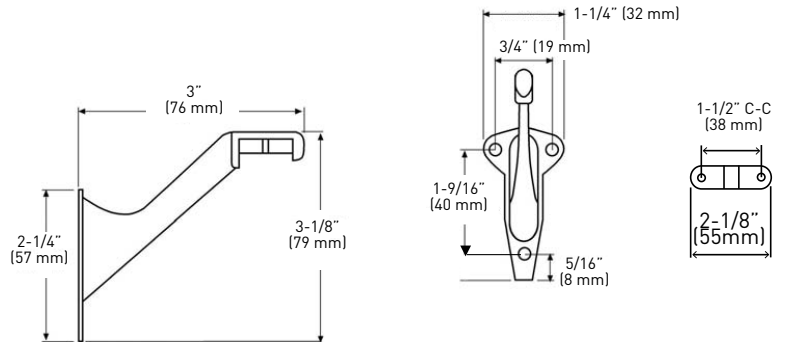


## HANDRAIL BRACKETS

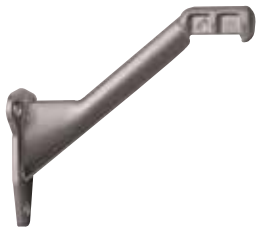


### HANDRAIL BRACKET

- > PROJECTION FROM WALL IS 3" (76 mm)
- > ZINC DIE-CAST CONSTRUCTION
- > INCLUDES MOUNTING SCREWS

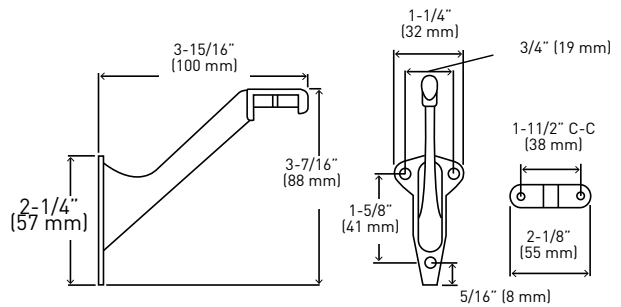


POLY BAGGED WITH UPC	3 POLISHED BRASS	10B OIL RUBBED BRONZE	15 SATIN NICKEL	17A ANTIQUE NICKEL	26D SATIN CHROME	CASE PACK
HANDRAIL BRACKET	25-P6350B	25-P63500RB	25-P6350SN	25-P6350AN	25-P6350SC	25



### 50 mm CLEARANCE HANDRAIL BRACKET

- > PROJECTION FROM WALL IS 3-15/16" (100 mm)
- > ZINC DIE-CAST CONSTRUCTION
- > INCLUDES MOUNTING SCREWS

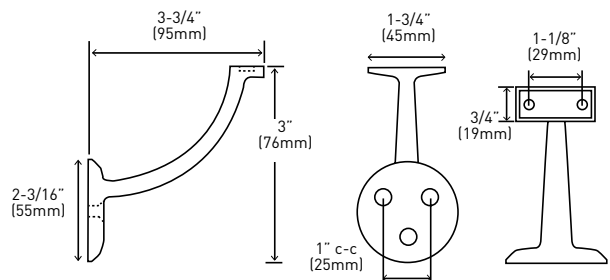


POLY BAGGED WITH UPC	3 POLISHED BRASS	10B OIL RUBBED BRONZE	15 SATIN NICKEL	NICKEL	17A ANTIQUE NICKEL	19 MATTE BLACK	26D SATIN CHROME	CASE PACK
HANDRAIL BRACKET	25-P6360PB	25-P63600RB	25-P6360SN	25-P6360N	25-P6360AN	25-P6360BLK	25-P6360SC	15



### 50 mm CLEARANCE HEAVY DUTY HANDRAIL BRACKET

- > PROJECTION FROM WALL IS 3-15/16" (100 mm)
- > ZINC DIE-CAST CONSTRUCTION
- > INCLUDES MOUNTING SCREWS



POLY BAGGED WITH UPC	3 POLISHED BRASS	10B OIL RUBBED BRONZE	15 SATIN NICKEL	NICKEL	17A ANTIQUE NICKEL	19 MATTE BLACK	26D SATIN CHROME	CASE PACK
HEAVY DUTY HANDRAIL BRACKET	25-P6370PB	25-P63700RB	25-P6370SN	25-P6370N	25-P6370AN	25-P6370BLK	25-P6370SC	5