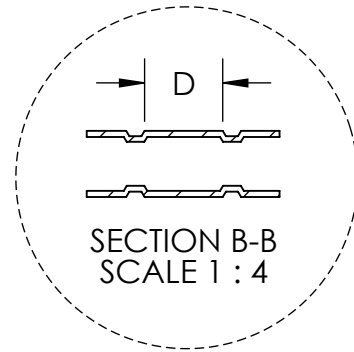
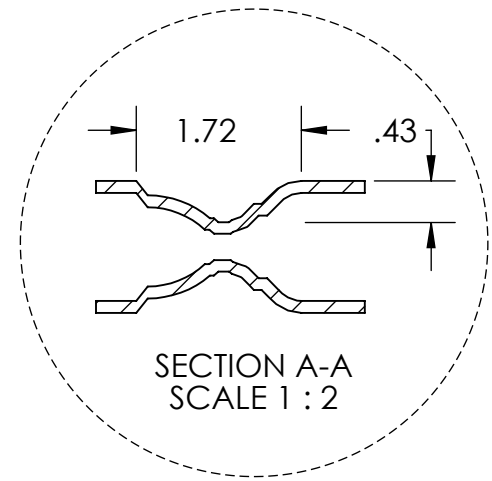


USA 83.00  
CDN82.63

USA 9.25  
CDN8.88



San Juan Bifold 7'0"					
BF	A	B	C	D	# of Planks
3-0*	9.09	6.29	2.37	1.63	3
2-8*	9.09	4.29	2.37	1.63	3
2-6*	9.09	3.29	2.37	1.63	3
2-4*	9.09	2.29	2.37	1.63	3
2-0*	6.79	3.18	1.78	1.49	2
1-8*	6.79	1.78	1.18	1.49	2
1-6*	6.79	1.03	0.93	1.49	2

Use of heavy duty hardware may require additional undercut. Lynden Door standard is 3/4"

**\* Non-Stock, Contact factory for pricing and availability.**

# San Juan (Corvado)

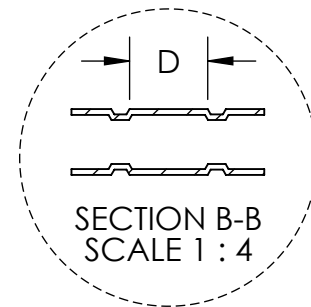
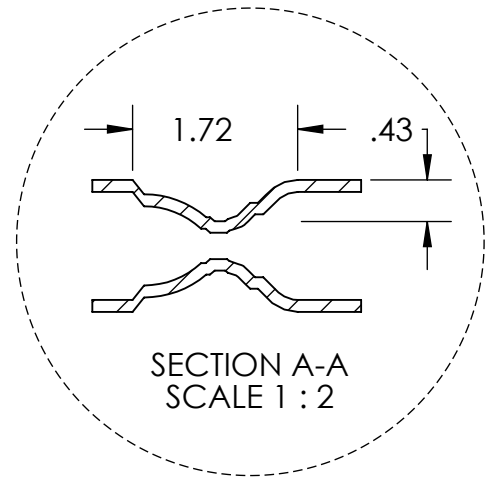
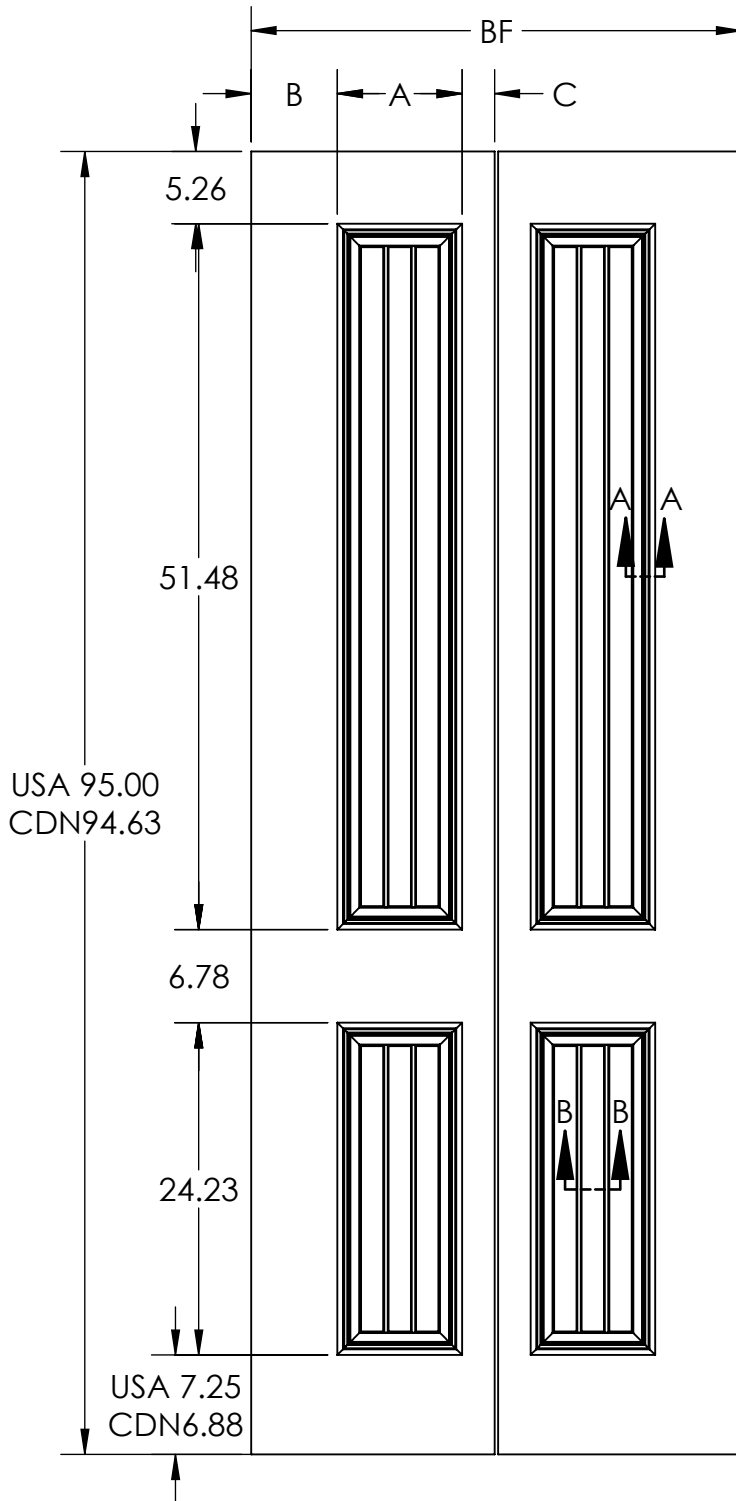
## Molded Profile Bifold



DIMENSIONS ARE IN: Inches  
DOOR TOLERANCES  
WIDTH (FULL WIDTH): ±1/16  
WIDTH (PREFIT): ±1/32  
HEIGHT: ±1/16  
SQUARE: ±1/8

THE INFORMATION CONTAINED IN THIS DRAWING IS THE SOLE PROPERTY OF Lynden Door, Inc. ANY REPRODUCTION IN PART OR AS A WHOLE WITHOUT THE WRITTEN PERMISSION OF Lynden Door, Inc. IS PROHIBITED.

A04-00047 01/15/19



San Juan Bifold 8'0"					
BF	A	B	C	D	# of Planks
3-0*	9.09	6.29	2.37	1.63	3
2-8*	9.09	4.29	2.37	1.63	3
2-6*	9.09	3.29	2.37	1.63	3
2-4*	9.09	2.29	2.37	1.63	3
2-0*	6.79	3.18	1.78	1.49	2
1-8*	6.79	1.78	1.18	1.49	2
1-6*	6.79	1.03	0.93	1.49	2

Use of heavy duty hardware may require additional undercut. Lynden Door standard is 3/4"

**\* Non-Stock, Contact factory for pricing and availability.**

# San Juan (Corvado)

## Molded Profile Bifold



DIMENSIONS ARE IN: Inches  
DOOR TOLERANCES  
WIDTH (FULL WIDTH): ±1/16  
WIDTH (PREFIT): ±1/32  
HEIGHT: ±1/16  
SQUARE: ±1/8

THE INFORMATION CONTAINED IN THIS DRAWING IS THE SOLE PROPERTY OF Lynden Door, Inc. ANY REPRODUCTION IN PART OR AS A WHOLE WITHOUT THE WRITTEN PERMISSION OF Lynden Door, Inc. IS PROHIBITED.

A04-00047 01/15/19